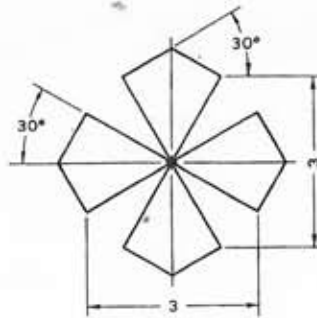
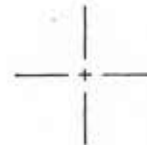


REPRODUCE THE OVERLAPPING SQUARES FULL-SIZE ON THE CENTER LINES PROVIDED BELOW. USE VISIBLE LINES, HIDDEN LINES AND CENTER LINES TO COMPLETE THE FIGURE. DO NOT DIMENSION THE DRAWING.



REPRODUCE THE EMBLEM DESIGN FULL-SIZE ON THE CENTER LINES PROVIDED BELOW. ALL THE INCLINED LINES ARE EITHER 30° FROM THE HORIZONTAL OR 30° FROM THE VERTICAL. USE VISIBLE AND CENTER LINES TO COMPLETE THE FIGURE. DO NOT DIMENSION THE DRAWING.



—
—
—
—

—
—

—
—
—
—

UNIT
C-2